



EAN:	4013288236951	Size:	405x360x60 mm
Part number:	05150125001	Weight:	3525 g
Article number:	9735	Country of origin:	CZ
		Customs tariff number:	82041100

- Durable foam insert, each tool has its own place; two-coloured, missing tools will quickly be noticed
- Brilliant combination of jaw end and ratchet mechanism at the ring end in a long design
- The long lever allows for higher power transmission and better accessibility at low-lying couplings
- Limit stop prevents any slipping
- With practical holding function by a metal plate in the mouth
- Return angle of only 30° in the open end
- Extremely robust ring ratchet
- Take it easy tool finder: colour coding by size and extra laser-engraved size indication

Durable foam insert; two-coloured for quick identification of missing parts; suitable for the Tool Rebel roller cabinets. Equipped with 11 long 6007 Joker ratcheting combination wrenches.


Web link

<https://www.wera.de/en/05150125001>

Wera - 9735

05150125001 - 4013288236951

Wera Werkzeuge GmbH

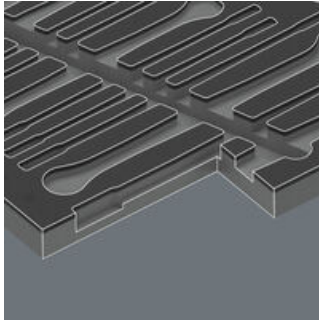
Korzter Straße 21-25

D-42349 Wuppertal

Tel: +49 (0)2 02 / 40 45-0

E-Mail: info@wera.de

Safe storage and quick overview



The tools sit securely in the foam thanks to precise contour cutouts, but are easy to remove. The carefully designed arrangement of the tools ensures space-saving storage and quick access to each tool.

Two-coloured foam insert



After removing the tool the light grey second foam becomes visible and therefore missing tools are quickly identified.

Long design



The long design of the spanner improves accessibility at low-lying couplings.

With holding function for hexagonal screws and bolts



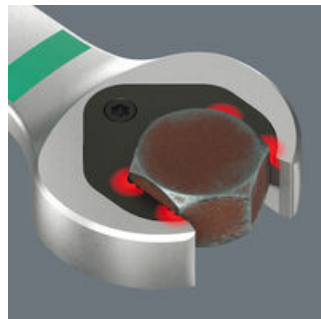
The Joker's holding function means that nuts and bolts can be held in the jaw and easily positioned where they are needed. Fastening on to the thread can then be done quickly and safely, thanks to the innovative special stop-plate which holds the fastener. No more time-wasting searches for dropped nuts and bolts! After applying and positioning the nut or bolt, fastening can begin immediately - no additional tools required.

Limit stop prevents any slipping



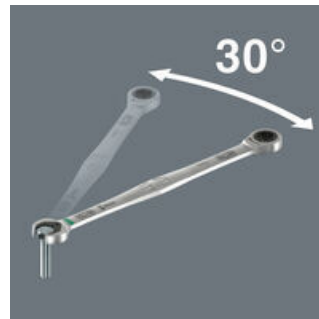
Thanks to its end stop, the Joker lowers the risk of the screw head slipping down. In addition, by reducing the risk of slipping, much more force can be applied when screwdriving.

Double-hex geometry



The Joker's clever double-hex geometry delivers a very positive connection with nuts or bolts - it's a perfect fit. Serated teeth on the hardened metal plate provide grip in the Joker's open end literally bite themselves into the bolt, with its extremely hard tips. Both features combine to prevent slipping, even at higher torque.

Return angle of only 30° in the open end



The double hexagon geometry of the jaw end reduces the return angle of the Joker 6007 to 30°. The Joker 6007 has a straight jaw - awkward turning and repositioning is a thing of the past.

Fine tooth mechanism



The ratcheting feature at the ring end boasts an exceptional, fine tooth mechanism - 80 teeth in all - which provides greater flexibility, even in very confined workspaces.

Web link

<https://www.wera.de/en/05150125001>

Wera - 9735

05150125001 - 4013288236951

Wera Werkzeuge GmbH

Korzter Straße 21-25

D-42349 Wuppertal

Tel: +49 (0)2 02 / 40 45-0

E-Mail: info@wera.de

Set contents:

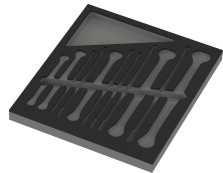
6007 Joker SB Ring ratchet spanner, long design, 8 x 180 mm



05020350001	1x	8 x 180 mm
05020351001	1x	10 x 209 mm
05020355001 ¹⁾	1x	11 x 220 mm
05020356001 ¹⁾	1x	12 x 245 mm
05020352001	1x	13 x 245 mm
05020357001 ¹⁾	1x	14 x 265 mm
05020358001 ¹⁾	1x	15 x 265 mm
05020359001 ¹⁾	1x	16 x 304.5 mm
05020353001	1x	17 x 304.5 mm
05020360001 ¹⁾	1x	18 x 334 mm
05020354001	1x	19 x 334 mm

1) Available from May 2026

9835 Foam insert 6007 Joker 11 set 1, without tools, 172 x 30 x 392 mm



05137335001 ¹⁾	1x	172 x 30 x 392 mm
---------------------------	----	-------------------

1) Attention: The foam insert does not fit in the previous model 05501051001 of the roller cabinet.

Attention: The foam insert does not fit in the previous model 05501051001 of the roller cabinet.

Web link

<https://www.wera.de/en/05150125001>

Wera - 9735

05150125001 - 4013288236951

Wera Werkzeuge GmbH

Korzter Straße 21-25

D-42349 Wuppertal

Tel: +49 (0)2 02 / 40 45-0

E-Mail: info@wera.de