

9730 Foam insert 6000 Joker set 1, 11 pieces

Foam inserts for roller cabinet



EAN:	4013288225214	Size:	405x185x55 mm
Part number:	05150120001	Weight:	2115 g
Article number:	9730	Country of origin:	CZ
		Customs tariff number:	82041100

- Durable foam insert, each tool has its own place; two-coloured, missing tools will quickly be noticed
- High-quality, durable foam insert without chemical vapours
- Optimum fit for the best possible removal of the tools from the foam insert
- Water- and oil-repellent, low maintenance and easy to clean
- Protection of the tool from dirt and impact
- Ring ratchet spanner with useful holding function by a metal plate in the open end
- No slipping down thanks to the end stop
- Double hexagon geometry reduces the risk of slipping to the side

Durable foam insert; two-coloured for quick identification of missing parts; suitable for the Tool Rebel roller cabinet; equipped with 11 Wera 6000 Joker ring ratchet spanners .

Web link

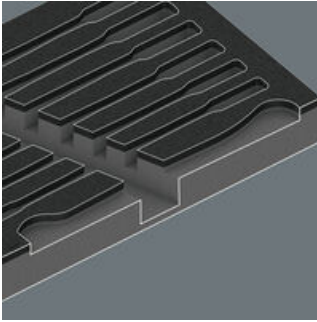
https://products.wera.de/en/roller_cabinet_and_foam_inserts_foam_inserts_for_roller_cabinet_9730.html

Wera - 9730
05150120001 - 4013288225214

Wera Werkzeuge GmbH
Korzter Straße 21-25
D-42349 Wuppertal
Tel: +49 (0)2 02 / 40 45-0
E-Mail: info@wera.de

Foam inserts for roller cabinet

Safe storage and quick overview



The tools sit securely in the foam thanks to precise contour cutouts, but are easy to remove. The carefully designed arrangement of the tools ensures space-saving storage and quick access to each tool.

Two-coloured foam insert



After removing the tool the light grey second foam becomes visible and therefore missing tools are quickly identified.

Joker open-ended wrench



When we began to think about open-ended wrenches, we asked ourselves: why does the wrench always have to be flipped over; why does it have an offset design; why does it slip off injuring fingers? The new design of the open end resulted in a real "Joker" that works even when all other trumps have been played.

Ring ratchet spanner Joker 6000



The Joker's holding function means that nuts and bolts can be held in the jaw and easily positioned where they are needed. Fastening on to the thread can then be done quickly and safely, thanks to the innovative special stop-plate which holds the fastener. No more time-wasting searches for dropped nuts and bolts! After applying and positioning the nut or bolt, fastening can begin immediately - no additional tools required.

Web link

https://products.wera.de/en/roller_cabinet_and_foam_inserts_foam_inserts_for_roller_cabinet_9730.html

Wera - 9730
05150120001 - 4013288225214

Wera Werkzeuge GmbH
Korzter Straße 21-25
D-42349 Wuppertal
Tel: +49 (0)2 02 / 40 45-0
E-Mail: info@wera.de

Foam inserts for roller cabinet

Integrated limit-stop



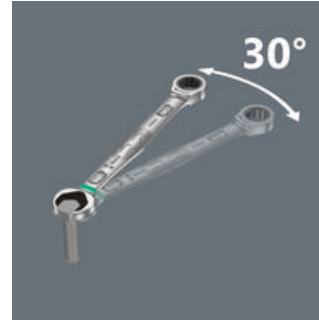
Constant re-positioning of the wrench? Difficulty holding fasteners in confined spaces? Easing off to avoid any risks of injury or fastener damage? That was yesterday. Today, the Joker prevents slipping off of the fastener head with its integrated limit-stop - no longer is the thumb needed to act as a depth stop. This makes applications much easier and allows significantly more force to be applied during fastening jobs.

Double-hex geometry



The Joker's clever double-hex geometry delivers a very positive connection with nuts or bolts - it's a perfect fit. And the exchangeable, hardened metal gripping plate in the Joker's open end literally bites itself into the bolt, with its extremely hard tips. Both features combine to prevent slipping, even at higher torque.

Small return angle



Instead of 60°, the Joker only has a 30° back-pivoting angle thanks to its unique double-hex design. Along with the Joker's straight neck, this means that flipping the wrench has become a thing of the past. With the Joker, you can now loosen and tighten nuts and bolts, in situations where conventional tools fail. Particularly in confined spaces, where conventional open-jawed wrenches cannot be used. The combination of limit stop and small return angle enables effective work, even on screw pipe connections.

Fine tooth mechanism



The ratcheting feature at the ring end boasts an exceptional, fine tooth mechanism - 80 teeth in all - which provides greater flexibility, even in very confined workspaces.

Web link

https://products.wera.de/en/roller_cabinet_and_foam_inserts_foam_inserts_for_roller_cabinet_9730.html

Wera - 9730

05150120001 - 4013288225214

Wera Werkzeuge GmbH

Korzter Straße 21-25

D-42349 Wuppertal

Tel: +49 (0)2 02 / 40 45-0

E-Mail: info@wera.de

9730 Foam insert 6000 Joker set 1, 11 pieces

Foam inserts for roller cabinet



Set contents:

6000 Joker Ratcheting combination wrenches, 8 x 144 mm



05073268001	1x	8 x 144 mm
05073270001	1x	10 x 159 mm
05073271001	1x	11 x 165 mm
05073272001	1x	12 x 170.7 mm
05073273001	1x	13 x 177 mm
05073274001	1x	14 x 188 mm
05073275001	1x	15 x 200 mm
05073276001	1x	16 x 212 mm
05073277001	1x	17 x 224 mm
05073278001	1x	18 x 235 mm
05073279001	1x	19 x 246 mm

9830 Foam insert 6000 Joker Set 1, empty, 172 x 30 x 392 mm



05137330001 ¹⁾	1x	172 x 30 x 392 mm
---------------------------	----	-------------------

1) Attention: The foam insert does not fit in the previous model 05501051001 of the roller cabinet.

Web link

https://products.wera.de/en/roller_cabinet_and_foam_inserts_foam_inserts_for_roller_cabinet_9730.html

Wera - 9730

05150120001 - 4013288225214

Wera Werkzeuge GmbH

Korzter Straße 21-25

D-42349 Wuppertal

Tel: +49 (0)2 02 / 40 45-0

E-Mail: info@wera.de