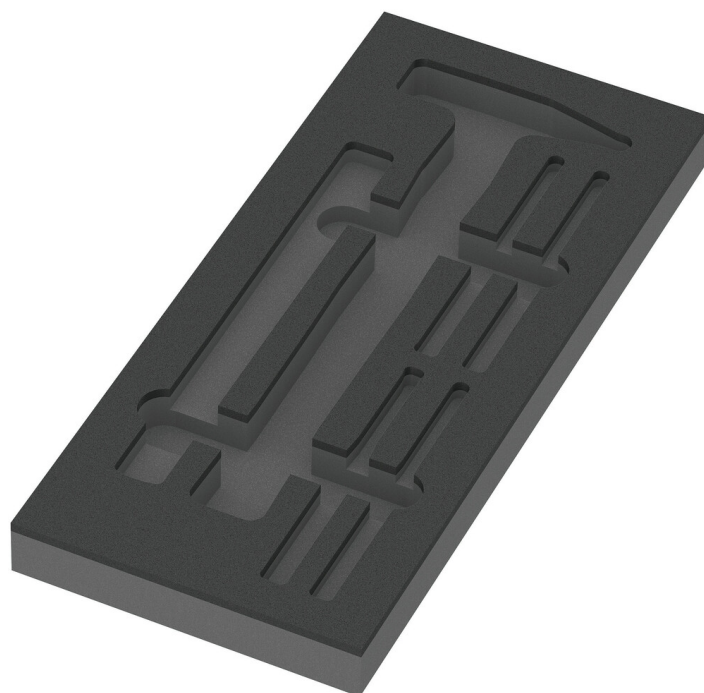


Foam inserts for roller cabinet



EAN:	4013288225887	Size:	405x185x55 mm
Part number:	05137382001	Weight:	355 g
Article number:	9882	Country of origin:	DE (05)
		Customs tariff number:	39239000

- Durable foam insert, each tool has its own place; two-coloured, missing tools will quickly be noticed
- High-quality, durable foam insert without chemical vapours
- Optimum fit for the best possible removal of the tools from the foam insert
- Water- and oil-repellent, low maintenance and easy to clean
- Protection of the tool from dirt and impact
- Width x height x depth: 172 x 30 x 392 mm
- Spare foam insert for Wera item 9782

One durable foam insert, without tools; two-coloured for quick identification of missing parts; width x height x depth: 172 x 30 x 392 mm; spare foam insert for Wera item 9782; suitable for the Tool Rebel roller cabinet.

Web link

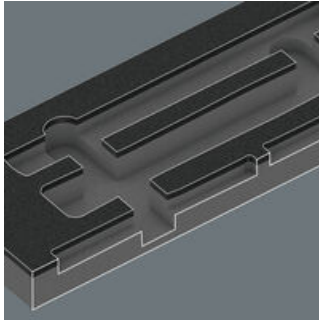
https://products.wera.de/en/roller_cabinet_and_foam_inserts_foam_inserts_for_roller_cabinet_9882.html

Wera - 9882
05137382001 - 4013288225887

Wera Werkzeuge GmbH
Korzter Straße 21-25
D-42349 Wuppertal
Tel: +49 (0)2 02 / 40 45-0
E-Mail: info@wera.de

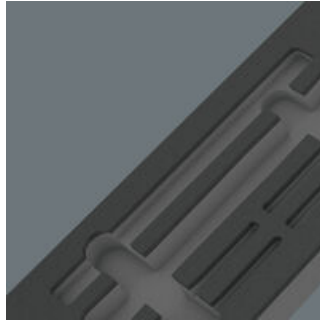
Foam inserts for roller cabinet

Safe storage and quick overview



The tools sit securely in the foam thanks to precise contour cutouts, but are easy to remove. The carefully designed arrangement of the tools ensures space-saving storage and quick access to each tool.

Two-coloured foam insert

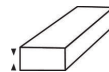


After removing the tool the light grey second foam becomes visible and therefore missing tools are quickly identified.

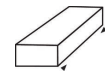
Further versions in this product family:



mm



mm



mm

05137382001¹⁾	172.0	30.0	392.0
---------------------------------	--------------	-------------	--------------

1) Attention: The foam insert does not fit in the previous model 05501051001 of the roller cabinet.

Web link

https://products.wera.de/en/roller_cabinet_and_foam_inserts_foam_inserts_for_roller_cabinet_9882.html

Wera - 9882
05137382001 - 4013288225887

Wera Werkzeuge GmbH
Korzter Straße 21-25
D-42349 Wuppertal
Tel: +49 (0)2 02 / 40 45-0
E-Mail: info@wera.de