

| | | | |
|------------------------|---------------|-------------------------------|---------------|
| EAN: | 4013288236920 | Size: | 400x185x55 mm |
| Part number: | 05137316001 | Weight: | 370 g |
| Article number: | 9827 | Country of origin: | DE (05) |
| | | Customs tariff number: | 39239000 |

- Durable foam insert, each tool has its own place; two-coloured, missing tools will quickly be noticed
- Without chemical emissions
- Optimum fit for the best possible removal of the tools from the foam insert
- Water- and oil-repellent, low maintenance and easy to clean
- Protection of the tool from dirt and impact
- Width x height x depth: 172 x 30 x 392 mm
- Spare foam insert for Wera item 9727

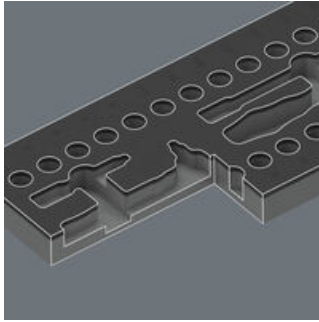
One durable foam insert, without tools; two-coloured for quick identification of missing parts; width x height x depth: 172 x 30 x 392 mm; spare foam insert for Wera item 9727; suitable for the Tool Rebel roller cabinets.

Web link
<https://www.wera.de/en/05137316001>

Wera - 9827
05137316001 - 4013288236920

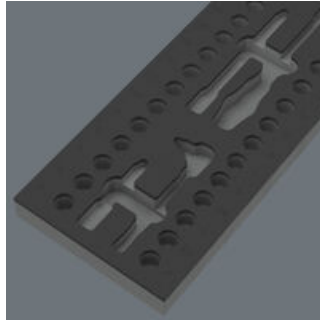
Wera Werkzeuge GmbH
Korzter Straße 21-25
D-42349 Wuppertal
Tel: +49 (0)2 02 / 40 45-0
E-Mail: info@wera.de

Safe storage and quick overview



The tools sit securely in the foam thanks to precise contour cutouts, but are easy to remove. The carefully designed arrangement of the tools ensures space-saving storage and quick access to each tool.

Two-coloured foam insert

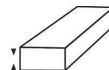


After removing the tool the light grey second foam becomes visible and therefore missing tools are quickly identified.

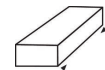
Further versions in this product family:



mm



mm



mm

| | | | |
|---------------------------------|--------------|-------------|--------------|
| 05137316001¹⁾ | 172.0 | 30.0 | 392.0 |
|---------------------------------|--------------|-------------|--------------|

1) Attention: The foam insert does not fit in the previous model 05501051001 of the roller cabinet.