



<b>EAN:</b>	4013288196477	<b>Size:</b>	122x83x23 mm
<b>Part number:</b>	05078721001	<b>Weight:</b>	101 g
<b>Article number:</b>	7790/2	<b>Country of origin:</b>	TW
		<b>Customs tariff number:</b>	82079099

- Square head insert tool 14x18 mm
- For torque wrenches from the Click-Torque X series with 14x18 mm mounting
- For welding on specifically required tools
- Welding should ideally be carried out by a specialist welding company
- With safety pin
- Forged, phosphated

Push-fit weld-on adapter; for torque wrenches of the Click-Torque X series with 14x18 mm holder.

**Web link**  
<https://www.wera.de/en/05078721001>

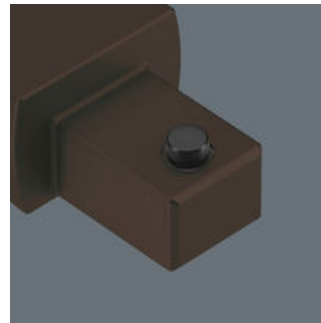
Wera - 7790/2  
05078721001 - 4013288196477

Wera Werkzeuge GmbH  
Korzter Straße 21-25  
D-42349 Wuppertal  
Tel: +49 (0)2 02 / 40 45-0  
E-Mail: [info@wera.de](mailto:info@wera.de)

Drive 14x18 mm

Push-fit weld-on adapter

With pin lock



For torque wrenches from the Click-Torque X series with 14x18 mm mounting.

For welding on specifically required tools; for torque wrenches of the Click-Torque X series with 14x18 mm holder. **Welding should ideally be carried out by a specialist welding company.**

Safe working and rapid tool change thanks to the pin lock of the insert tools.

Further versions in this product family:



mm



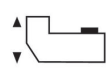
mm



mm



mm



mm

05078721001	14x18	38.0	13.0	31.0	22.0
-------------	-------	------	------	------	------

Web link

<https://www.wera.de/en/05078721001>

Wera - 7790/2

05078721001 - 4013288196477

Wera Werkzeuge GmbH

Korzter Straße 21-25

D-42349 Wuppertal

Tel: +49 (0)2 02 / 40 45-0

E-Mail: [info@wera.de](mailto:info@wera.de)