



EAN:	4013288223036	Size:	290x50x50 mm
Part number:	05075801001	Weight:	552 g
Article number:	Safe-Torque A 2	Country of origin:	CZ
		Customs tariff number:	82041100

- Slip-over release mechanism - the set torque can never be overtightened
- Torque Lock function: The torque function can be deactivated and the tool can then be used as a standard ratchet with high loosening moments and for applications with defined angles of rotation
- For controlled clockwise and counterclockwise torque operation - tightening and loosening with or without torque
- Easy setting and saving of the desired torque value with audible and tactile clicks when reaching the scale values
- After the target torque has been reached, the release angle is only 30°
- The fine tooththing with 72 teeth allows for a low return angle of 5°
- 1/4" hexagon drive for the use of 1/4" bits

Torque wrench with slide-over mechanism. Once the set torque has been reached, the tool cannot be overtightened, so that excessive torque cannot be applied. Setting range of 2 to 12 Nm for controlled clockwise and counterclockwise torque operation. Easy setting and saving of the default value: The audible and tactile clicks on reaching the scale values facilitate the safe setting of the desired torque value. With Torque Lock function for use as a standard ratchet without torque function. Thus also usable for applications with angles of rotation. The return angle of only 5° allows the ratchet to be used even in confined spaces.



Web link
<https://www.wera.de/en/05075801001>

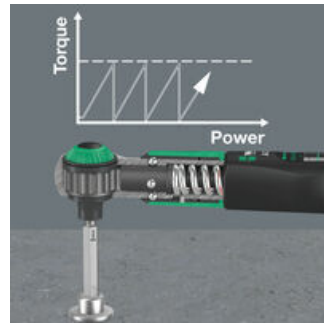
Wera - Safe-Torque A 2
 05075801001 - 4013288223036

Wera Werkzeuge GmbH
 Korzter Straße 21-25
 D-42349 Wuppertal
 Tel: +49 (0)2 02 / 40 45-0
 E-Mail: info@wera.de

Slide-over mechanism prevents application of excessive torques



Safe-Torque



The Safe-Torque A2 torque wrench is equipped with a slide-over mechanism. Once the set torque has been reached, the tool cannot be overtightened, so that excessive torque cannot be applied.

Torque Lock function



The torque function can be deactivated. The Safe-Torque torque wrench can then also be used as a standard ratchet with high loosening moments and for applications with defined angles of rotation.

For clockwise and counterclockwise operation



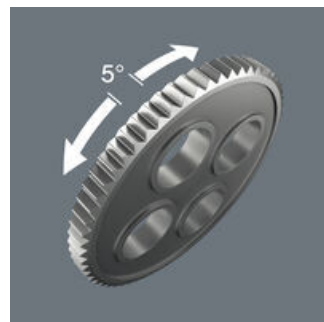
The Safe-Torque torque wrench is suitable for clockwise and counterclockwise operation with a set torque. When the Torque Lock function is deactivated, tightening and loosening is enabled without torque.

Easy torque setting



Easy setting and saving of the required torque with audible and tactile clicks on reaching the scale values.

Low return angle



The fine-toothed Safe-Torque torque wrench with 72 teeth has a back-pivoting angle of only 5°. The small stroke offers quick and precise working in all installation positions.

For 1/4" hex drive bits



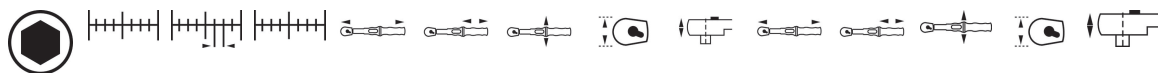
The Safe-Torque A 2 torque wrench has a 1/4" bit mounting with a strong permanent magnet and is suitable for bits with 1/4" external hexagon drive as per DIN ISO 1173-C 6.3 and E 6.3 and Wera connection series 1 and 4.

Adapter for 1/4" sockets



With the 870/1 connector (1/4" external hexagon to 1/4" external square head) the Safe-Torque A 2 can also be used with 1/4" sockets.

Further versions in this product family:



	inch	Nm	Nm	lbf. ft.	mm	mm	mm	mm	mm	inch	inch	inch	inch	inch
05075801001	1/4"	2-12	0.10	2-9	244	94	38.5	31.6	23.7	9 39/64"	3 45/64"	1 33/64"	1 15/64"	15/16"

Web link
<https://www.wera.de/en/05075801001>

Wera - Safe-Torque A 2
 05075801001 - 4013288223036

Wera Werkzeuge GmbH
 Korzter Straße 21-25
 D-42349 Wuppertal
 Tel: +49 (0)2 02 / 40 45-0
 E-Mail: info@wera.de