

867/1 Z TORX® Wedge bits, TX 15 x 25 mm

Bits for TORX® Screws



| | | | |
|------------------------|---------------------|-------------------------------|-----------|
| EAN: | 4013288016034 | Size: | 25x7x7 mm |
| Part number: | 05066455001 | Weight: | 5 g |
| Article number: | 867/1 Z TORX® Wedge | Country of origin: | CZ |
| | | Customs tariff number: | 82079030 |

- For recessed TORX® screws
- W = Wedge TORX®
- The conical TORX® profile provides a better fit in the screw
- Combined with a great recess depth this produces a pinch effect
- Tough for hard materials
- 1/4" hexagon drive (Wera connecting series 1)

High quality bits for recessed TORX® screws. The conical design of the profile means that a wedging effect is generated that holds the TORX® screw securely on the bit. Tough viscous for universal use. 1/4" hexagon, suitable for holders as per DIN ISO 1173-D 6.3.

Web link

https://products.wera.de/en/bits_holders_adaptors_and_sets_the_range_of_bits_bits_for_torx_screws_867_1_z_torx_wedge.html

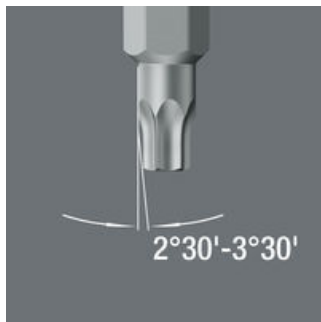
Wera - 867/1 Z TORX® Wedge
05066455001 - 4013288016034

Wera Werkzeuge GmbH
Korzter Straße 21-25
D-42349 Wuppertal
Tel: +49 (0)2 02 / 40 45-0
E-Mail: info@wera.de

Bits for TORX® Screws

TORX® Wedge

Tough-absorbing bits



The conical TORX® profile provides a better fit in the screw. Combined with a great recess depth this produces a pinch effect.



Tough-absorbing Wera bits (Z) prevent any premature breakage of the drive tip.

Further versions in this product family:



mm



inch

| | | mm | inch |
|-------------|-------|----|------|
| 05066455001 | TX 15 | 25 | 1" |
| 05066460001 | TX 20 | 25 | 1" |
| 05066465001 | TX 25 | 25 | 1" |

Web link

https://products.wera.de/en/bits_holders_adaptors_and_sets_the_range_of_bits_bits_for_torx_screws_867_1_z_torx_wedge.html

Wera - 867/1 Z TORX® Wedge
05066455001 - 4013288016034

Wera Werkzeuge GmbH
Korzter Straße 21-25
D-42349 Wuppertal
Tel: +49 (0)2 02 / 40 45-0
E-Mail: info@wera.de