



EAN:	4013288187970	Size:	75x68x20 mm
Part number:	05057761001	Weight:	116 g
Article number:	Bit-Box 20 BTZ PZ	Country of origin:	CZ
		Customs tariff number:	82079030

- Suitable for Pozidriv screws
- BiTorsion zone to absorb peak loads
- Considerable reduction in the risk of breakage, significant increase in service life
- Tough for hard materials
- 1/4" hexagon drive (Wera connecting series 1)
- Take it easy tool finder: colour coding according to profile and size
- In practical Bit-Box for simple removal

BiTorsion Bits for Pozidriv screws in a practical Bit-Box. Come with a torsion zone where kinetic energy is diverted to when peak loads prevail: this significantly prolongs the product service life; with Take it easy tool finder: colour coding according to profile and size stamp; extra hard design; 1/4" hex, suitable for holders as per DIN ISO 1173-D 6.3.

Web link
<https://www.wera.de/en/05057761001>

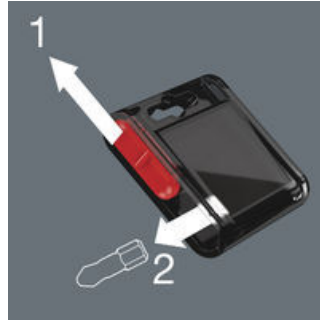
Wera - Bit-Box 20 BTZ PZ
05057761001 - 4013288187970

Wera Werkzeuge GmbH
Korzter Straße 21-25
D-42349 Wuppertal
Tel: +49 (0)2 02 / 40 45-0
E-Mail: info@wera.de

Bit-Box



BTZ-Bits



The slide switch allows a simple and gradual removal and reinsertion of the bits. The transparent reverse side means that it is easy to know how many bits are still in the box.

BiTorsion Bits



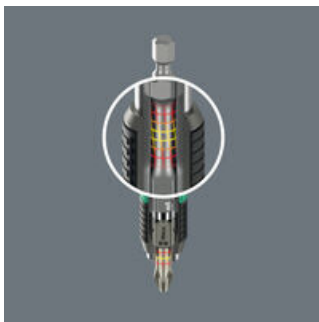
Peak forces that occur in power tool applications often result in premature wear of bits or damage to the screw head. This usually occurs during initial power-up and the when the screw comes to a standstill. Screwdriving could become more productive and safer if these peak loads could be minimised. The Wera BiTorsion system prevents premature wear. The service life of the tool is extended and the productivity of power tool applications significantly increased.

Two cushioning torsion zones



The effectiveness of the BiTorsion system comes from a combination of two shock-absorbing spring elements. Both, bits as well as holders have a cushioning torsion zone that diverts the kinetic energy away from the drive tip during peak loads.

BiTorsion phase 1



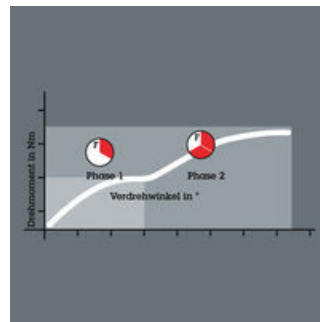
The torsion spring integrated into the unique BiTorsion holder absorbs lower levels of peak loads (Phase 1). Any overloading of this spring is effectively prevented by means of a supporting mechanism.

BiTorsion phase 2



Higher peak loads are minimised through the torsion effect of the bit shaft (Phase 2).

Above-average service life



Even the service life of conventional bits is enhanced with the use of the BiTorsion holder and the BiTorsion bit also functions in a normal holder.

Prevents premature wear



The optimally coordinated features of the torsion zones on the bit and holder permit a phased yield when under strain. The two-phase system prevents premature wear. Moreover, a long tool service life is also ensured by the hardness of the bits that matches the respective application.

Web link

<https://www.wera.de/en/05057761001>

Wera - Bit-Box 20 BTZ PZ
05057761001 - 4013288187970

Wera Werkzeuge GmbH
Korzter Straße 21-25
D-42349 Wuppertal
Tel: +49 (0)2 02 / 40 45-0
E-Mail: info@wera.de

Set contents:

855/1 BTZ bits, PZ 2 x 25 mm



05056722001

20x PZ 2 x 25 mm



Web link

<https://www.wera.de/en/05057761001>

Wera - Bit-Box 20 BTZ PZ
05057761001 - 4013288187970

Wera Werkzeuge GmbH
Korzter Straße 21-25
D-42349 Wuppertal
Tel: +49 (0)2 02 / 40 45-0
E-Mail: info@wera.de