

3160 i VDE Insulated screwdriver for slotted screws, stainless, 1 x 5.5 x 125 mm

Series Kraftform Screwdrivers Stainless Steel VDE



EAN:	4013288122162	Size:	223x33x33 mm
Part number:	05022732001	Weight:	69 g
Article number:	3160 i VDE	Country of origin:	CZ
		Customs tariff number:	82054000

- Insulated VDE stainless blades for secure work at 1,000 volts
- Multi-component Kraftform handle for high working speeds and ergonomic screwdriving
- "Take it easy" tool finder: colour coding according to profile and size
- Hexagonal anti-roll feature against rolling away
- Conical blade, Lasertip tip, stainless to prevent extraneous rust

High quality Kraftform Plus VDE screwdriver out of stainless steel by Wera. The stainless tools from Wera are vacuum ice-hardened and have the hardness and strength needed for screw connections. They can be used for industrial application without hesitation. The individual testing of the Kraftform Stainless VDE screwdrivers at 10,000 volts as per DIN EN 60900 (IEC 60900) ensures safe working with voltages of up to 1,000 volts. Secure working is also ensured under extreme conditions and verified with the proven cold impact resistance at -40° C. Kraftform handle for fast and low-fatigue working. "Take it easy" Tool Finder: colour coding according to profile and size. The hexagonal anti-roll feature prevents any bothersome rolling away at the workplace.



Web link

https://products.wera.de/en/tools_by_trade_tools_for_electricians_series_kraftform_screwdrivers_stainless_steel_vde_3160_i_vde.html

Wera - 3160 i VDE
05022732001 - 4013288122162

Wera Werkzeuge GmbH
Korzter Straße 21-25
D-42349 Wuppertal
Tel: +49 (0)2 02 / 40 45-0
E-Mail: info@wera.de

Series Kraftform Screwdrivers Stainless Steel VDE

Wera Stainless Steel Tools.



Why are stainless elements so often affected by rust? One reason: screwdriving jobs are often carried out with a tool out of made from conventional steel which can result in extraneous rust forming. This is annoying. We were confident that this could be prevented by using tools likewise out of stainless steel and meeting the required standard of industrial hardness. A tool series out of stainless steel. The forming of extraneous rust is prevented and a special vacuum ice-hardening process ensures the required degree of hardness - and they are even VDE-tested, too.



Solution to the rust problem: screwdriving stainless steel together with stainless steel! Wera stainless steel tools are manufactured out of stainless steel so unsightly rust can be avoided.

Individually tested



The individual testing at 10,000 volts, in accordance with IEC 60900, ensures safe working with loads up to 1,000 volts.

Vacuum ice-hardened



The stainless steel tools from Wera are vacuum ice-hardened and have the hardness and strength needed for screw connections. There are no limitations to the industrial applications they are suitable for.

Lasertip



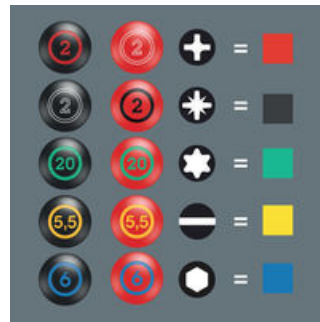
A precisely-focused laser creates a sharp-edged surface structure. Wera Lasertip "bites" itself into the screw head and prevents any slips out of the recess. It is available for screwdrivers for slotted, Phillips and Pozidriv screws.

Reduced contact pressure



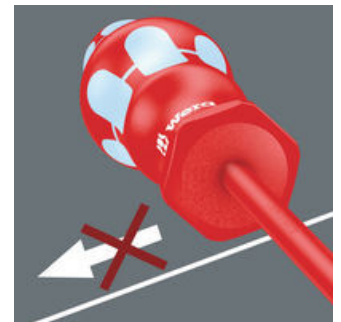
Wera Lasertip reduces the contact pressure required and enhances force transfer - meaning less screwdriving effort is required. Screwdriving becomes safer and easier.

"Take it easy" Tool Finder



Screwdrivers with "Take it easy" tool finder: colour coding according to profile and size stamp.

Non-roll feature



The hexagonal non-roll feature prevents any rolling away at the workplace.

Web link

https://products.wera.de/en/tools_by_trade_tools_for_electricians_series_kraftform_screwdrivers_stainless_steel_vde_3160_i_vde.html

Wera - 3160 i VDE
05022732001 - 4013288122162





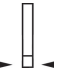

Wera Werkzeuge GmbH
Korzter Straße 21-25
D-42349 Wuppertal
Tel: +49 (0)2 02 / 40 45-0
E-Mail: info@wera.de

3160 i VDE Insulated screwdriver for slotted screws, stainless, 1 x 5.5 x 125 mm

Series Kraftform Screwdrivers Stainless Steel VDE



Further versions in this product family:

	 mm	 mm	 mm	 mm	 inch	 inch
05022729001 ¹⁾	0.5	3.0	80	81	1/8"	3 1/8"
05022730001 ¹⁾	0.6	3.5	100	81	9/64"	4"
05022731001	0.8	4.0	100	98	5/32"	4"
05022732001	1.0	5.5	125	98	7/32"	5"

1) without Lasertip

Web link

https://products.wera.de/en/tools_by_trade_tools_for_electricians_series_kraftform_screwdrivers_stainless_steel_vde_3160_i_vde.html

Wera - 3160 i VDE

05022732001 - 4013288122162

Wera Werkzeuge GmbH

Korzter Straße 21-25

D-42349 Wuppertal

Tel: +49 (0)2 02 / 40 45-0

E-Mail: info@wera.de