

6003 Joker 15 Set 1 Combination wrench set, 15 pieces

6003 Joker Combination wrench - Open end with return angle of just 15°. When things get tight.



EAN:	4013288222657	Size:	295x105x80 mm
Part number:	05020302001	Weight:	1330 g
Article number:	6003 Joker 15 Set 1	Country of origin:	CZ
		Customs tariff number:	82041100

- Especially suitable for tight spaces
- The special open end geometry expands the placement possibilities of the tool
- The low return angle in the open end "takes" the screw every 15°
- Slim ring side with 15° crank
- Suitable for docking with the Wera 2go system

As installation spaces become increasingly confined, it remains necessary that tools enable users to work successfully. Narrow spaces require additional placement points of the tool, to allow screws to be accessed and actuated. Can spanners be modified so that the placement possibilities of the tool increase? The combination of the 7.5° offset open end and the double hexagon geometry doubles the placement points. A repeated 180° turn of the wrench around the longitudinal axis during screwdriving provides four placement possibilities, and bolts or screw heads can be "taken" every 15°. The Joker 6003 with its smart open end geometry significantly expands the range of uses in confined spaces. The Joker 6003 will automatically find the respective placement point after every turn. The slim yet robust ring side is tilted by 15° to the tool axis. The high-quality surface treatment achieves a high and long-lasting corrosion protection. With Take it easy tool finder: colour coding by size. The Joker pouches are suitable for attachment to walls, shelves, workshop trolleys and the Wera 2go system thanks to the hook and loop fastener system on the back.

Web link

https://products.wera.de/en/joker_6003_joker_combination_wrench_open_end_with_return_angle_of_just_15_when_things_get_tight_6003_joker_15_set_1.html

Wera - 6003 Joker 15 Set 1
05020302001 - 4013288222657

Wera Werkzeuge GmbH
Korzter Straße 21-25
D-42349 Wuppertal
Tel: +49 (0)2 02 / 40 45-0
E-Mail: info@wera.de

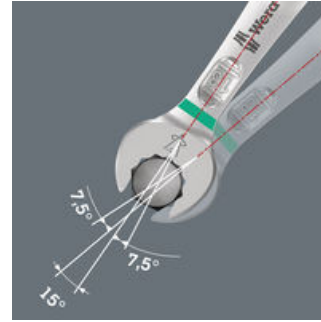
6003 Joker Combination wrench - Open end with return angle of just 15°. When things get tight.

For very tight spaces



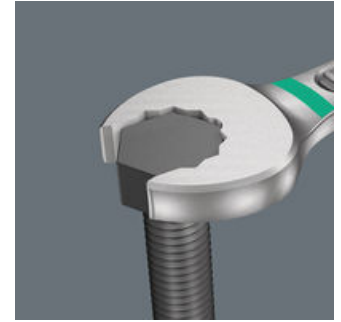
The Joker 6003 ring spanner with its special open end geometry - open end offset by 7.5° and the double hexagon profile - doubles the placement possibilities when repeatedly turning the wrench 180° around the longitudinal axis. Bolts and screw heads can be "accessed" every 15°. The Joker 6003 will automatically find the respective placement point after every turn.

Joker 6003: For return angles of less than 30°



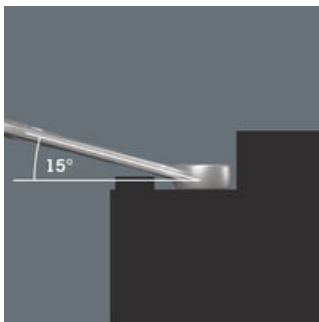
Thanks to the open end side offset by 7.5°, double hexagon geometry and an adjusted application method (placement - screwdriving - turning - replacement - screwdriving - turning, etc), even screwdriving challenges allowing a return angle of less than 30° can be solved.

Double-hex geometry



The double hexagon geometry on the open end and ring sides secures the positive connection with the screw head or bolt and reduces the risk of slipping.

Joker 6003: Tilted ring side



The ring side is tilted at 15° to the tool axis to prevent injury.

"Take it easy" tool finder



Take it easy tool finder system - with profile and size colour-coding for quick and easy tool selection. Colour-coded system for hexagon drive screws (L-Keys, Zyklop bit sockets), external hex drive screws and nuts (Joker wrenches, Zyklop sockets and Zyklop bit sockets with holding function), and TORX® drive screws (L-Keys, Zyklop bit sockets).

Suitable for docking with the Wera 2go system



The Joker pouches are suitable for attachment to walls, shelves, workshop trolleys and the Wera 2go system thanks to the hook and loop fastener system on the back.

Web link

https://products.wera.de/en/joker_6003_joker_combination_wrench_open_end_with_return_angle_of_just_15_when_things_get_tight_6003_joker_15_set_1.html

Wera - 6003 Joker 15 Set 1
05020302001 - 4013288222657

Wera Werkzeuge GmbH
Korzter Straße 21-25
D-42349 Wuppertal
Tel: +49 (0)2 02 / 40 45-0
E-Mail: info@wera.de

6003 Joker 15 Set 1 Combination wrench set, 15 pieces



6003 Joker Combination wrench - Open end with return angle of just 15°. When things get tight.

Set contents:

6003 Joker Combination wrench, 5.5 x 105 mm



05020190001	1x	5.5 x 105 mm
05020198001	1x	6 x 105 mm
05020199001	1x	7 x 110 mm
05020219001	1x	9 x 120 mm
05020208001	1x	17 x 190 mm
05020202001	1x	11 x 135 mm
05020203001	1x	12 x 148 mm
05020205001	1x	14 x 167 mm
05020206001	1x	15 x 174 mm
05020207001	1x	16 x 182 mm
05020209001	1x	18 x 210 mm
05020200001	1x	8 x 115 mm
05020201001	1x	10 x 125 mm
05020204001	1x	13 x 160 mm
05020210001	1x	19 x 230 mm

Hook and Loop Fastener Strip 240, 50 x 240 mm



1x 50 x 240 mm

Web link

https://products.wera.de/en/joker_6003_joker_combination_wrench_open_end_with_return_angle_of_just_15_when_things_get_tight_6003_joker_15_set_1.html

Wera - 6003 Joker 15 Set 1
05020302001 - 4013288222657

Wera Werkzeuge GmbH
Korzter Straße 21-25
D-42349 Wuppertal
Tel: +49 (0)2 02 / 40 45-0
E-Mail: info@wera.de