



<b>EAN:</b>	4013288229878	<b>Size:</b>	380x160x45 mm
<b>Part number:</b>	05020235001	<b>Weight:</b>	1131 g
<b>Article number:</b>	9642	<b>Country of origin:</b>	CZ
		<b>Customs tariff number:</b>	82041100

- Imperial
- 8-piece set
- With its strong magnet, the rail holds securely to metal surfaces. It can also be bolted to the wall.
- The clips hold the tools perfectly
- Especially suitable for tight spaces
- The special open end geometry expands the placement possibilities of the tool
- The low return angle in the open end "takes" the screw every 15°
- Slim ring side with 15° crank

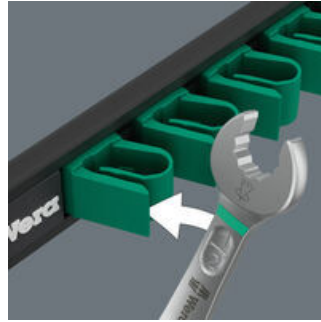
Ring spanner set, 8-piece set, imperial sizes; on a magnetic rail. With its combination of the 7.5° offset open end and the double hexagon geometry, the Joker 6003 doubles the placement points. A repeated 180° turn of the wrench around the longitudinal axis during screwdriving provides four placement possibilities, and bolts or screw heads can be engaged every 15°. This makes screwdriving much easier, especially in confined spaces. The slim yet robust ring side is tilted by 15° to the tool axis. The high-quality surface treatment achieves a high and long-lasting corrosion protection. With Take it easy Tool finder: Colour coding by size. The clip hold the tools perfectly. With its strong magnet, the rail holds securely to metal surfaces. It can also be bolted to the wall.

**Web link**  
<https://www.wera.de/en/05020235001>

Wera - 9642  
 05020235001 - 4013288229878

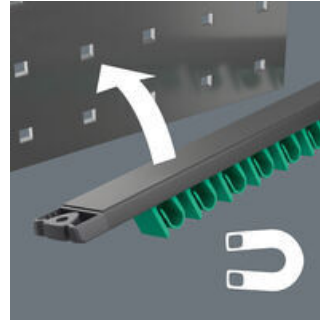
Wera Werkzeuge GmbH  
 Korzter Straße 21-25  
 D-42349 Wuppertal  
 Tel: +49 (0)2 02 / 40 45-0  
 E-Mail: info@wera.de

**Secure tool holding**



The high-quality aluminium magnetic rail offers space for up to 11 spanners. The clamping springs hold the tools securely.

**Held by magnetic force**



With its strong magnet, the rail can be attached securely to metal surfaces.

**Screw mounting**



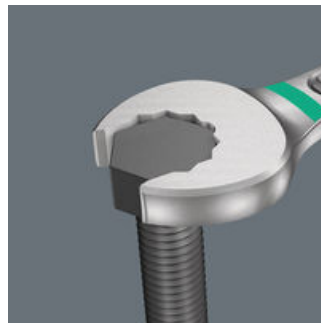
The rail can also be bolted to the wall.

**For very tight spaces**



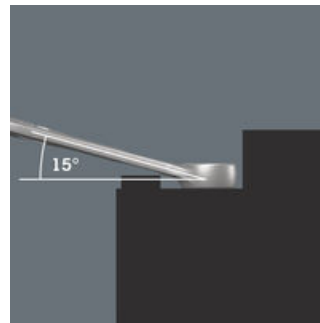
The Joker 6003 ring spanner with its special open end geometry - open end offset by 7.5° and the double hexagon profile - doubles the placement possibilities when repeatedly turning the wrench 180° around the longitudinal axis. Bolts and screw heads can be "accessed" every 15°. The Joker 6003 will automatically find the respective placement point after every turn.

**Double-hex geometry**



The double hexagon geometry on the open end and ring sides secures the positive connection with the screw head or bolt and reduces the risk of slipping.

**Joker 6003: Tilted ring side**



The ring side is tilted at 15° to the tool axis to prevent injury.

**Joker 6003: For return angles of less than 30°**



Thanks to the open end side offset by 7.5°, double hexagon geometry and an adjusted application method (placement - screwdriving - turning - replacement - screwdriving - turning, etc), even screwdriving challenges allowing a return angle of less than 30° can be solved.

**Web link**

<https://www.wera.de/en/05020235001>

Wera - 9642

05020235001 - 4013288229878

Wera Werkzeuge GmbH

Korzter Straße 21-25

D-42349 Wuppertal

Tel: +49 (0)2 02 / 40 45-0

E-Mail: [info@wera.de](mailto:info@wera.de)

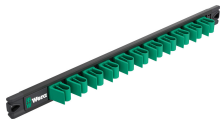
**Set contents:**

**6003 Joker Combination wrench, Imperial, 5/16" x 115 mm**



05020211001	1x	5/16" x 115 mm
05020212001	1x	3/8" x 125 mm
05020214001	1x	1/2" x 160 mm
05020215001	1x	9/16" x 167 mm
05020218001	1x	3/4" x 230 mm
05020213001	1x	7/16" x 135 mm
05020216001	1x	5/8" x 182 mm
05020217001	1x	11/16" x 210 mm

**9610 Joker Magnetic rail, for up to 11 spanners, empty, 30 x 370 mm**



05136413001	1x	30 x 370 mm
-------------	----	-------------

**Web link**

<https://www.wera.de/en/05020235001>

Wera - 9642

05020235001 - 4013288229878

Wera Werkzeuge GmbH

Korzter Straße 21-25

D-42349 Wuppertal

Tel: +49 (0)2 02 / 40 45-0

E-Mail: [info@wera.de](mailto:info@wera.de)