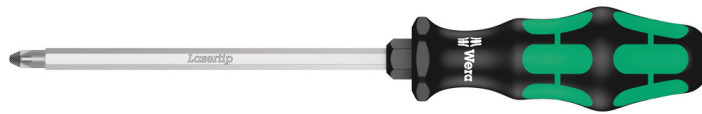


355 SK PZ Screwdriver for Pozidriv screws, PZ 3 x 150 mm

Kraftform Plus – Series 300



EAN:	4013288108210	Size:	262x40x40 mm
Part number:	05009343001	Weight:	177 g
Article number:	355 SK PZ	Country of origin:	CZ
		Customs tariff number:	82054000

- Screwdriver, for cross-recess screws, Pozidriv
- Smooth hard zones for high speed turning, soft grip zones for high torque transfer
- "Take it easy" tool finder: colour coding according to profile and size

High quality Kraftform Plus screwdriver by Wera. Hard gripping zones for high working speeds whereas soft zones ensure high torque transfer for fast and low-fatigue working. "Take it easy" tool finder with colour coding according to profiles and size stamp - for simple and rapid accessing of the required tool. The hexagonal non-roll feature prevents any rolling away at the workplace.



Web link

https://products.wera.de/en/screwdrivers_kraftform_plus_series_300_355_sk_pz.html

Wera - 355 SK PZ
05009343001 - 4013288108210

Wera Werkzeuge GmbH
Korzter Straße 21-25
D-42349 Wuppertal
Tel: +49 (0)2 02 / 40 45-0
E-Mail: info@wera.de

Lasertip prevents slipping out



Kraftform Plus screwdrivers - ergonomics you can grasp. They relieve the entire hand-arm system even when used intensively. Along with other technical and product advantages such as the Lasertip for a secure fit in the screw head, Kraftform screwdrivers are the ideal choice whenever manual screwdriving jobs are concerned.



It happens time and time again that the tip slips out of the screw head when screwdriving, sometimes damaging valuable surfaces or even causing injury. The tips of the Wera Lasertip screwdrivers are microscopically roughened by means of a laser. This rough surface literally "bites" itself firmly into the screw head. Slipping out becomes a thing of the past.

Lasertip



A precisely-focused laser creates a sharp-edged surface structure. Wera Lasertip "bites" itself into the screw head and prevents any slips out of the recess. It is available for screwdrivers for slotted, Phillips and Pozidriv screws.

Reduced contact pressure



Wera Lasertip reduces the contact pressure required and enhances force transfer - meaning less screwdriving effort is required. Screwdriving becomes safer and easier.

Web link

https://products.wera.de/en/screwdrivers_kraftform_plus_series_300_355_sk_pz.html

Wera - 355 SK PZ
05009343001 - 4013288108210

Wera Werkzeuge GmbH
Korzter Straße 21-25
D-42349 Wuppertal
Tel: +49 (0)2 02 / 40 45-0
E-Mail: info@wera.de

Hexagonal blade and bolster



Hexagonal blade and bolster for higher torque transfer.

Kraftform



The basic idea for the prototype of the Kraftform handle - that the hand should dictate the design - has, right through to today, proved to be correct. In cooperation with the internationally recognised Fraunhofer IAO Institute, Wera developed a screwdriver handle designed to match the shape of the human hand as long ago as the 1960s. After a long development phase, the Wera Kraftform handle was launched to the market in 1968. It has been optimised through the years with new technologies, but has kept its proven shape. After all, the human hand has not changed either.

Rapid hand repositioning









The hard materials used for the handle ensure rapid hand repositioning without any danger of the skin "sticking" to the handle. The surrounding hard zones with large diameters glide like wheels through the hand.

"Take it easy" Tool Finder



Screwdrivers with "Take it easy" tool finder: colour coding according to profile and size stamp.

Further versions in this product family:

						
		mm	mm	mm	mm	inch
05009340001 ¹⁾	PZ 0	4	-	60	81	2 3/8"
05009341001	PZ 1	5	8	80	98	3 1/8"
05009342001	PZ 2	6	10	100	105	4"
05009343001	PZ 3	8	13	150	112	6"

1) without Lasertip

Web link

https://products.wera.de/en/screwdrivers_kraftform_plus_series_300_355_sk_pz.html

Wera - 355 SK PZ
05009343001 - 4013288108210

Wera Werkzeuge GmbH
Korzter Straße 21-25
D-42349 Wuppertal
Tel: +49 (0)2 02 / 40 45-0
E-Mail: info@wera.de