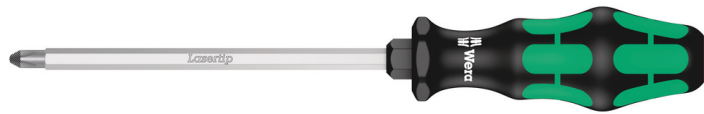


# 350 SK PH Screwdriver for Phillips screws, PH 3 x 150 mm

Kraftform Plus – Series 300



<b>EAN:</b>	4013288108159	<b>Size:</b>	262x40x40 mm
<b>Part number:</b>	05008753001	<b>Weight:</b>	176 g
<b>Article number:</b>	350 SK PH	<b>Country of origin:</b>	CZ
		<b>Customs tariff number:</b>	82054000

- Screwdriver for cross-recess screws, Phillips
- Smooth hard zones for high speed turning, soft grip zones for high torque transfer
- "Take it easy" tool finder: colour coding according to profile and size
- Hexagonal blade and bolster for higher torque transfer
- Lasertip for more secure fit in the screw head

High quality Kraftform Plus screwdriver with hexagonal blade. Hard gripping zones for high working speeds whereas soft zones ensure high torque transfer for fast and low-fatigue working. Comes with bolster to allow more torque to be applied. Wera Lasertip literally bites into the head of the screw and thereby prevents any slipping. "Take it easy" tool finder with colour coding according to profiles and size stamp - for simple and rapid accessing of the required tool. The hexagonal non-roll feature prevents any rolling away at the workplace.



## Web link

[https://products.wera.de/en/screwdrivers\\_kraftform\\_plus\\_series\\_300\\_350\\_sk\\_ph.html](https://products.wera.de/en/screwdrivers_kraftform_plus_series_300_350_sk_ph.html)

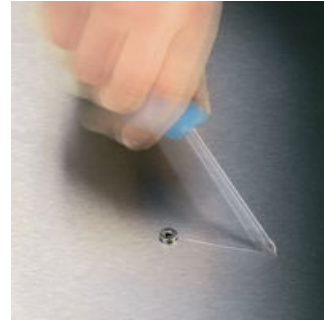
Wera - 350 SK PH  
05008753001 - 4013288108159

Wera Werkzeuge GmbH  
Korzter Straße 21-25  
D-42349 Wuppertal  
Tel: +49 (0)2 02 / 40 45-0  
E-Mail: [info@wera.de](mailto:info@wera.de)

**Lasertip prevents slipping out**



Kraftform Plus screwdrivers - ergonomics you can grasp. They relieve the entire hand-arm system even when used intensively. Along with other technical and product advantages such as the Lasertip for a secure fit in the screw head, Kraftform screwdrivers are the ideal choice whenever manual screwdriving jobs are concerned.



It happens time and time again that the tip slips out of the screw head when screwdriving, sometimes damaging valuable surfaces or even causing injury. The tips of the Wera Lasertip screwdrivers are microscopically roughened by means of a laser. This rough surface literally "bites" itself firmly into the screw head. Slipping out becomes a thing of the past.

**Lasertip**



A precisely-focused laser creates a sharp-edged surface structure. Wera Lasertip "bites" itself into the screw head and prevents any slips out of the recess. It is available for screwdrivers for slotted, Phillips and Pozidriv screws.

**Reduced contact pressure**



Wera Lasertip reduces the contact pressure required and enhances force transfer - meaning less screwdriving effort is required. Screwdriving becomes safer and easier.

**Web link**

[https://products.wera.de/en/screwdrivers\\_kraftform\\_plus\\_series\\_300\\_350\\_sk\\_ph.html](https://products.wera.de/en/screwdrivers_kraftform_plus_series_300_350_sk_ph.html)

Wera - 350 SK PH  
05008753001 - 4013288108159

Wera Werkzeuge GmbH  
Korzter Straße 21-25  
D-42349 Wuppertal  
Tel: +49 (0)2 02 / 40 45-0  
E-Mail: [info@wera.de](mailto:info@wera.de)

Hexagonal blade and bolster



Hexagonal blade and bolster for higher torque transfer.

Kraftform



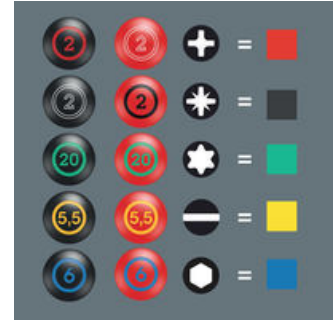
The basic idea for the prototype of the Kraftform handle - that the hand should dictate the design - has, right through to today, proved to be correct. In cooperation with the internationally recognised Fraunhofer IAO Institute, Wera developed a screwdriver handle designed to match the shape of the human hand as long ago as the 1960s. After a long development phase, the Wera Kraftform handle was launched to the market in 1968. It has been optimised through the years with new technologies, but has kept its proven shape. After all, the human hand has not changed either.

Prevents hand injuries









The outstanding design of the Kraftform handle that fits perfectly into the hand prevents hand injuries such as blisters and calluses.

“Take it easy” Tool Finder



Screwdrivers with "Take it easy" tool finder: colour coding according to profile and size stamp.

Further versions in this product family:

						
		mm	mm	mm	mm	inch
05008750001 <sup>1)</sup>	PH 0	4	-	60	81	2 3/8"
05008751001	PH 1	5	8	80	98	3 1/8"
05008752001	PH 2	6	10	100	105	4"
<b>05008753001</b>	<b>PH 3</b>	<b>8</b>	<b>13</b>	<b>150</b>	<b>112</b>	<b>6"</b>

1) without Lasertip

Web link

[https://products.wera.de/en/screwdrivers\\_kraftform\\_plus\\_series\\_300\\_350\\_sk\\_ph.html](https://products.wera.de/en/screwdrivers_kraftform_plus_series_300_350_sk_ph.html)

Wera - 350 SK PH  
05008753001 - 4013288108159

Wera Werkzeuge GmbH  
Korzter Straße 21-25  
D-42349 Wuppertal  
Tel: +49 (0)2 02 / 40 45-0  
E-Mail: info@wera.de