

168 i VDE Insulated screwdriver for square socket head screws, # 2 x 200 mm

Kraftform Plus – Series 100 VDE



EAN:	4013288105493	Size:	305x37x37 mm
Part number:	05004784001	Weight:	114 g
Article number:	168 i VDE	Country of origin:	CZ
		Customs tariff number:	82054000

- Insulated blades for secure work at 1,000 volts
- Smooth hard zones for high speed turning, soft grip zones for high torque transfer
- Handle markings simplify finding and sorting of tools
- Hexagonal anti-roll feature against rolling away
- Zinc phosphate plated

Wera VDE screwdriver with multi-component Kraftform handle for fast and smooth work: Hard handle zones for high working speeds, while soft handle zones guarantee a high torque transfer. Individually tested at 10,000 V for safe working at the approved voltage of 1,000 V. The hexagon anti-roll protection avoids bits from rolling away annoyingly at the workplace. Colour-coded.



Web link

https://products.wera.de/en/tools_by_trade_tools_for_electricians_kraftform_plus_series_100_vde_168_i_vde.html

Wera - 168 i VDE
05004784001 - 4013288105493

Wera Werkzeuge GmbH
Korzter Straße 21-25
D-42349 Wuppertal
Tel: +49 (0)2 02 / 40 45-0
E-Mail: info@wera.de

Individually tested

Impact strength test

Kraftform



The individual testing at 10,000 volts, in accordance with IEC 60900, ensures safe working with loads up to 1,000 volts.



The individual testing at 10,000 volts, in accordance with IEC 60900, ensures safe working with loads up to 1,000 volts.



Impact strength tested at -40°C, guaranteeing safety even under extreme conditions.



The basic idea for the prototype of the Kraftform handle - that the hand should dictate the design - has, right through to today, proved to be correct. In cooperation with the internationally recognised Fraunhofer IAO Institute, Wera developed a screwdriver handle designed to match the shape of the human hand as long ago as the 1960s. After a long development phase, the Wera Kraftform handle was launched to the market in 1968. It has been optimised through the years with new technologies, but has kept its proven shape. After all, the human hand has not changed either.

Web link

https://products.wera.de/en/tools_by_trade_tools_for_electricians_kraftform_plus_series_100_vde_168_i_vde.html

Wera - 168 i VDE
05004784001 - 4013288105493

Wera Werkzeuge GmbH
Korzter Straße 21-25
D-42349 Wuppertal
Tel: +49 (0)2 02 / 40 45-0
E-Mail: info@wera.de

Kraftform Plus – Series 100 VDE

Multicomponent Kraftform handle



Wera produces the Kraftform handle out of several materials with different properties. A resistant plastic is used for the core which ensures that the blade is held securely even under high strain. A softer material is used for the coloured soft zones, which provides high frictional resistance and allows the transfer of high forces - resulting in less required screwdriving effort. The red sections with their hard surfaces prevent any "sticking" of the hand to the handle, making rapid repositioning of the hand possible.

Prevents hand injuries



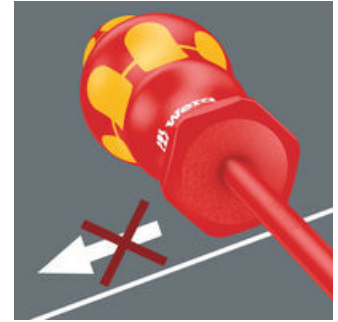
The outstanding design of the Kraftform handle that fits perfectly into the hand prevents hand injuries such as blisters and calluses.

Identification marking







The screw symbol and tip size identification markings on the handle make it easier to find the right screwdriver in the tool case, or at the workplace.

Non-roll feature



The hexagonal non-roll feature prevents any rolling away at the workplace.

Further versions in this product family:

					
			mm	mm	inch
05004780001	gruen_566C /gelb_123C	# 1	80	98	3 1/8"
05004783001	gruen_566C /gelb_123C	# 1	150	98	6"
05004781001	rot_200C/gelb_123C	# 2	100	105	4"
05004784001	rot_200C/gelb_123C	# 2	200	105	8"
05004782001	rot_200C/schwarz_blac kC	# 3	150	112	6"

Web link

https://products.wera.de/en/tools_by_trade_tools_for_electricians_kraftform_plus_series_100_vde_168_i_vde.html

Wera - 168 i VDE
05004784001 - 4013288105493

Wera Werkzeuge GmbH
Korzter Straße 21-25
D-42349 Wuppertal
Tel: +49 (0)2 02 / 40 45-0
E-Mail: info@wera.de