

8796 SB Zyklop "flexible-lock" extension with free-turning sleeve, short, 3/8", 3/8"
x 125 mm



EAN:	4013288121318	Size:	190x44x20 mm
Part number:	05003591001	Weight:	125 g
Article number:	8796 SB	Country of origin:	CZ
		Customs tariff number:	82042000

- 3/8" Zyklop "flexible-lock" extension with free-turning sleeve, short
- For 3/8" square sockets with ball lock
- Flexible lock system for either locking or rapid exchange of the attached tool
- With free-turning sleeve for rapid tightening and loosening of screws and nuts
- Chrome vanadium steel, matte chrome-plated

Wera Zyklop extension with flexible-lock: when activated the sockets are secured and permanently fixed, any unintentional loss being avoided. When the system is deactivated, the sockets can be quickly attached and exchanged. Equipped with a free-turning sleeve for faster turning of screws and nuts.

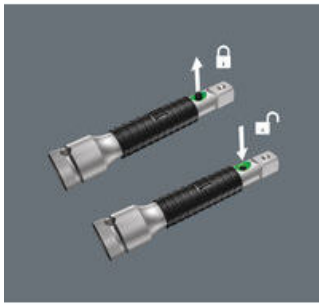
Web link
<https://www.wera.de/en/05003591001>

Wera - 8796 SB
05003591001 - 4013288121318

Wera Werkzeuge GmbH
Korzter Straße 21-25
D-42349 Wuppertal
Tel: +49 (0)2 02 / 40 45-0
E-Mail: info@wera.de

Flexible-lock-system

The fast-rotating sleeve



The extensions from the premium lines are also equipped with the unique "flexible-lock-system". By activating this system, attachments can be fixed to the extension permanently - preventing slipping and any unintentional loss of the attachment. When the system is deactivated, the sockets can be attached as usual and changed in a flash.

The free-turning sleeve on the Zyklop Speed and the Zyklop extension effectively accelerates the turning of screws and nuts.

Further versions in this product family:



inch



mm

05003591001	3/8"	125.0
-------------	------	-------

Web link

<https://www.wera.de/en/05003591001>

Wera - 8796 SB

05003591001 - 4013288121318

Wera Werkzeuge GmbH

Korzerter Straße 21-25

D-42349 Wuppertal

Tel: +49 (0)2 02 / 40 45-0

E-Mail: info@wera.de