



<b>EAN:</b>	4013288237224	<b>Size:</b>	630x38x38 mm
<b>Part number:</b>	05003201001	<b>Weight:</b>	1342 g
<b>Article number:</b>	9999	<b>Country of origin:</b>	TW
		<b>Customs tariff number:</b>	82041100

- Actuation tool for insert tools
- With 14x18 mm mounting for exchangeable insert tools
- Plug connection for mounting insert tools
- The actuation tool is suitable for tightening and loosening screw connections, using insert tools
- No torque function!
- Various combinations possible thanks to a multitude of different insert tools
- Solid made from alloyed tool steel; matte-chromed
- Ergonomic Kraftform handle for low-fatigue working

Actuation tool for mounting insert tools with 14x18 mm square head tip. Solid made from alloyed tool steel, matte-chromed. For tightening and loosening screw connections. No torque function. With multi-component Kraftform handle for ergonomic, fatigue-free work without injuries.

**Web link**

<https://www.wera.de/en/05003201001>

Wera - 9999

05003201001 - 4013288237224

Wera Werkzeuge GmbH

Korzter Straße 21-25

D-42349 Wuppertal

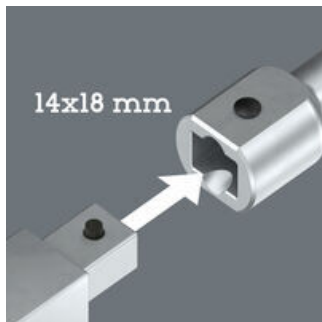
Tel: +49 (0)2 02 / 40 45-0

E-Mail: [info@wera.de](mailto:info@wera.de)

**Many combinations possible**



Actuation tool for insert tools



The 9999 actuation tool is suitable for mounting insert tools with 14x18 mm square head drive, and can thus be used in a variety of operations.

**Tightening and loosening without torque**



With an insert tool, the 9999 actuation tool is suitable for tightening and loosening stuck screw connections - without torque.

**Solid made of alloyed tool steel**



The matte-chromed solid used, made of alloyed special purpose steel, offers high form stability, and is resistant to deformation due to its increased strength.

**Ergonomic Kraftform handle**

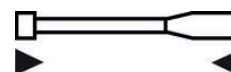


The multi-component Kraftform handle ensures ergonomic, fatigue-free work without injuries.

**Further versions in this product family:**



mm



mm

05003201001

14x18

600

**Web link**

<https://www.wera.de/en/05003201001>

Wera - 9999

05003201001 - 4013288237224

Wera Werkzeuge GmbH

Korzter Straße 21-25

D-42349 Wuppertal

Tel: +49 (0)2 02 / 40 45-0

E-Mail: [info@wera.de](mailto:info@wera.de)