



EAN:	4013288237231	Size:	430x38x38 mm
Part number:	05003200001	Weight:	803 g
Article number:	9998	Country of origin:	TW
		Customs tariff number:	82041100

- Actuation tool for insert tools
- With 9x12 mm mounting for exchangeable insert tools
- Plug connection for mounting insert tools
- The actuation tool is suitable for tightening and loosening screw connections, using insert tools
- No torque function!
- Various combinations possible thanks to a multitude of different insert tools
- Solid made from alloyed tool steel; matte-chromed
- Ergonomic Kraffform handle for low-fatigue working

Actuation tool for mounting insert tools with 9x12 mm square head tip. Solid made from alloyed tool steel, matte-chromed. For tightening and loosening screw connections. No torque function. With multi-component Kraffform handle for ergonomic, fatigue-free work without injuries.

Web link

<https://www.wera.de/en/05003200001>

Wera - 9998

05003200001 - 4013288237231

Wera Werkzeuge GmbH

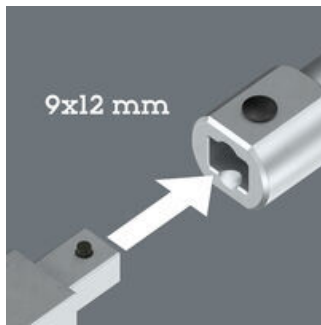
Korzter Straße 21-25

D-42349 Wuppertal

Tel: +49 (0)2 02 / 40 45-0

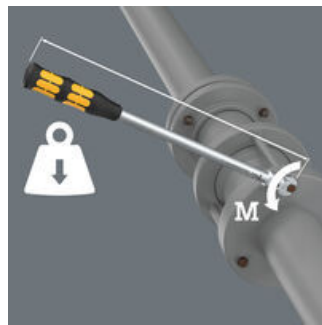
E-Mail: info@wera.de

Many combinations possible



The 9998 actuation tool is suitable for mounting insert tools with 9x12 mm square head drive, and can thus be used in a variety of operations.

Tightening and loosening without torque



With an insert tool, the 9998 actuation tool is suitable for tightening and loosening stuck screw connections - without torque.

Solid made of alloyed tool steel



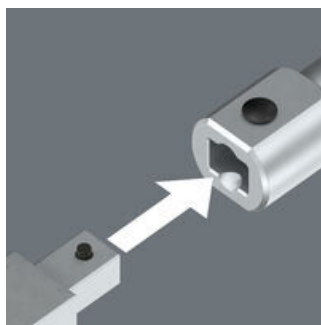
The matte-chromed solid used, made of alloyed special purpose steel, offers high form stability, and is resistant to deformation due to its increased strength.

Ergonomic Kraftform handle



The multi-component Kraftform handle ensures ergonomic, fatigue-free work without injuries.

Many combinations possible

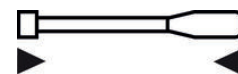


The actuation tools are suitable for mounting insert tools with square head drive, and can thus be used in a variety of operations.

Further versions in this product family:



mm



mm

05003200001

9x12

400

Web link
<https://www.wera.de/en/05003200001>

Wera - 9998
 05003200001 - 4013288237231

Wera Werkzeuge GmbH
 Korzter Straße 21-25
 D-42349 Wuppertal
 Tel: +49 (0)2 02 / 40 45-0
 E-Mail: info@wera.de